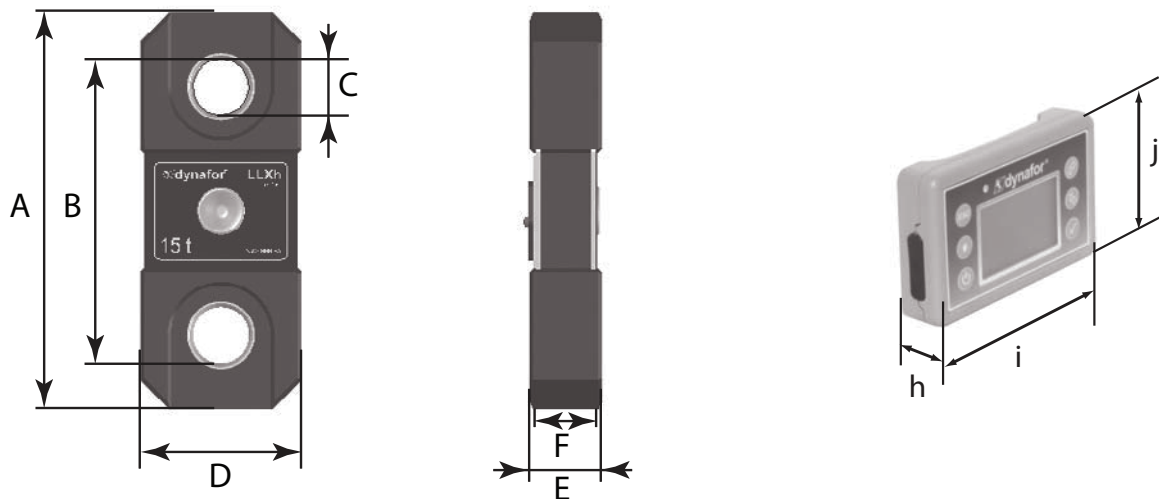


DYNAMOMETER (DYNAFOR™): LLXh

TECHNICAL DATA



MODEL		LLXH 15 t	LLXH 25 t	LLXH 50 t	LLXH 100 t	LLXH 250 t	Display
Maximum capacity	t	15	25	50	100	250	ALL
Test load	t	30	50	100	200	500	-
Safety coefficient		Minimum 4					-
Precision		0,2 % according to ISO 376 . 21 °C					-
	daN	30	50	100	200	500	-
Increment	daN	5	10	20	50	100	<-
Max. display		16500 daN	27500 daN	55000 daN	110.00 t	275.00 t	<-
Number height	mm	-	-	-	-	-	25
Autonomy		From 300 to 1000 h depending of functions					48 h
Radio scope	m	80 (in open field) (I.P. 67 = 60)					
RF Technology		2.4 Ghz					
Weight	kg	4	6.6	15.1	46	215	0.180
IP Protection		I.P. 65 (option : I.P. 67)					I.P. 54
Usage		From - 20° to 40 °C					
Sensitivity to T°		0.05% per 10 °C					
Sensor material		Aluminium					-
Dimensions mm	A	320	360	440	660	905	-
	B	247.5	277	338	488	685	-
	ØC	47.5	56	72	108	150	-
	D	130	134	164	260	424	-
	E	58	68	98	118	248	-
	F	48	58	86	104	190	-
	h	-	-	-	-	-	26.7
	i	-	-	-	-	-	131
j	-	-	-	-	-	82	