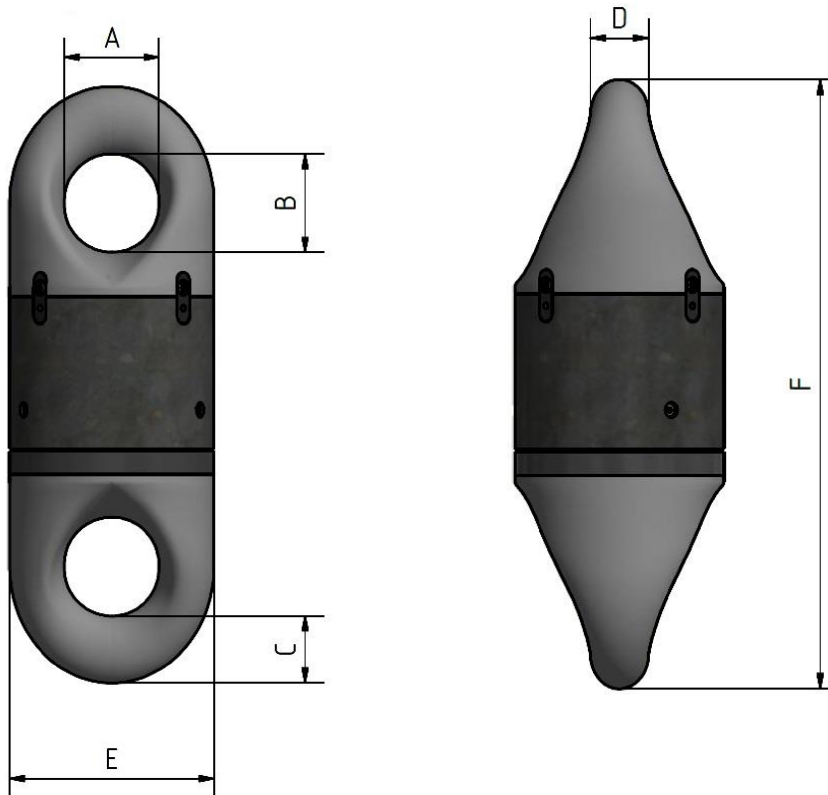


Swivels



Nautilus Slim Swivel

Offshore accessory



Nautilus Slim	chain dia.	A	B	C	D	E	F	PL kN	MBL kN
858 tf	70-84 mm	130	135	92	78	280	817	6602	8418
1216 tf	89-102 mm	158	164	111	96	320	954	9359	11932

Application:

Manufactured & Tested:

Material:

Features:

Temporary and Mobile Mooring

in Germany by Feubo

Forged Steel – Grade R4, R5

Slide bearings, Roller bearings