

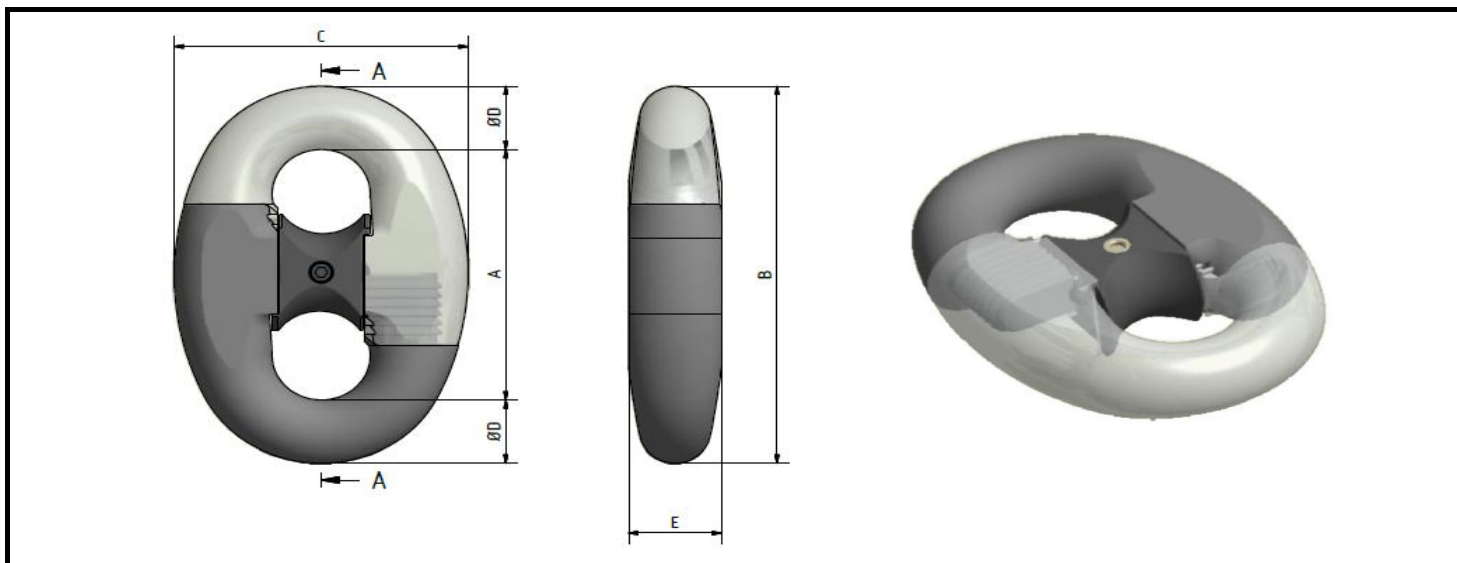
Chain Fittings



Raptor Slim Kenter Shackle R5 Fastlock

DNV-GL Type Approved

In accordance with DNV-OS-E302 Offshore Mooring Chain



Part Number	Chain Size	Grade	PL (kN)	BL (kN)	Dimensions (mm)							Weight (Kg)
					A	B	C	D	E	F	G	
302G570FL	70	R5	4732	6021	420	293	280	70	91	80	77	52
302G576FL	76	R5	5498	7009	456	318	304	76	99	87	84	65
302G584FL	84	R5	6602	8418	504	351	336	84	109	96	92	88
302G589FL	89	R5	7332	9348	534	372	356	89	116	101	98	101
302G595FL	95	R5	8246	10512	570	379	380	95	124	108	104	150
302G5102FL	102	R5	9359	11932	612	426	408	102	133	116	112	172
302G5114FL	114	R5	11378	14506	684	476	456	114	148	130	125	190
302G5120FL	120	R5	12434	15852	720	502	480	120	156	138	133	200

Tolerances on Forged Surfaces +/- 2.5% - Tolerances on Machined Surfaces +/- 1% - Tolerances on Crown Area +5% / -0%

Manufactured & Tested in Germany

The Raptor Thin comes with our superior 6 tooth locking mechanism for maximum strength and fatigue life

Supplied with DNV-GL Certification as standard.

Also available in grades R4 & R4S

Other Class Certification available on request, ABS, BV, LR

NOTES:-