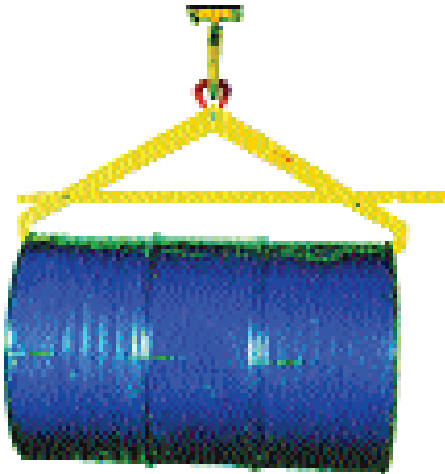


SEMI-AUTOMATIC DRUM CLAMP FOR HORIZONTAL LIFT

TECHNICAL DATA



Applications

Horizontal lifting of standard metal drums with edges, from 440 to 920mm in length.

Directions for use

Lower the clamp to the drum, lift the locking lever whilst carrying out the lift, until the load is applied. When lowering the load the clamp will automatically lock open, ready for next lift.

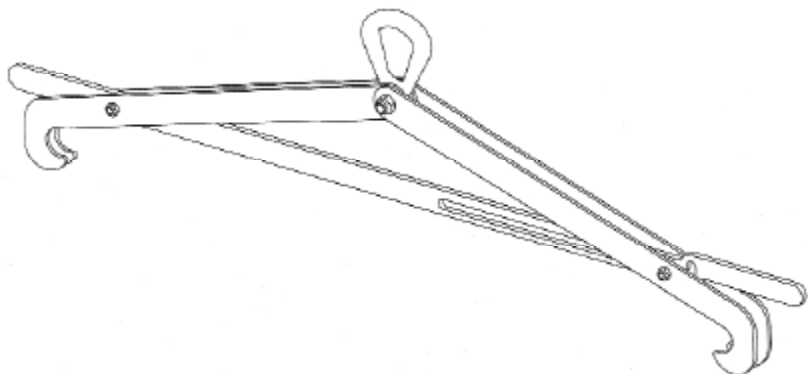
Use Restrictions

For safety reasons, carry the clamp by its red hook ring in the open position (lock activated).

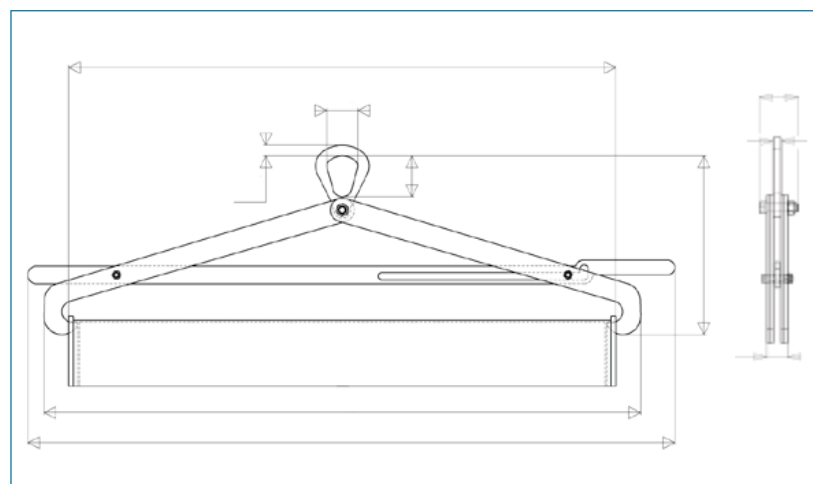
The clamp is only to be used on standard drums with edges on each side.

Not suitable for plastic drums.

Operating temperature: -20° to +100°C.



- Automatic lowering.
- Proportional clamping to minimise any damage to the drum.



W.L.L = working load limit. Dimensions mm.

Ref.	Code no.	W.L.L. kg	Opening mh max	A	B	C	D	E		F	G		H	I	Weight kg
				52	69	18	12	min	max	min	max	60	32		
HF05 440 920	050 208	500	440 920	52	69	18	12	564	1,003	1088	568	300	60	32	5.6